

EASY REPLACEMENT
No Tools Means No Tools!



OR



OR

ORANGE SERIES FILTERS

Orange series filters are dual gradient double-pleated filtration solutions with extended life and use, with filtration levels of 1 absolute, 5, 10, and 20 microns nominal. The filters are designed with a large external and a smaller internal pre-filtration layer, extending filtration level contamination and service life while achieving high flow and low pressure drop.

The filters will outperform competitive filtration solutions in all turbidity applications including silt, rust, and other particle filtration. The orange series also provides lower shear water velocity as the raw water passes through the filter, allowing for more contact time and interaction with the extensive surface area of the filters. This results in higher water quality and longer life of the filtration system.

Each filter comes with a unique handle design for lightweight and easy removal, a bag for proper disposal, and a double O-ring connection for the Cartridge Tank® plumbing adapter. Plumbing connection options are available with the **ONE-E3® Cartridge System**.

Orange series filters are available in the following configurations:

CT-RES1AP: 1 micron absolute pleated filter

CT-10x5: External 10 micron pleated pre-filter, with 5 micron pleated internal filter

CT-20x10: External 20 micron pleated pre-filter, with 10 micron pleated internal filter

CT-50x20: External 50 micron pleated pre-filter, with 20 micron pleated internal filter

FEATURES

Dual gradient double pleated filters

Double Buna-N O-ring seals

Filter belly bands

Durable polyester filter and polypropylene cap construction

BENEFITS

Extended service life, contaminant removal, and dirt holding capacity

Low pressure drop = high flow

Ensures no bypass of contaminants and high chemical compatibility

Prevent collapsing of filters under high flow or contaminant load applications

Bacteria and chemical resistant

APPLICATIONS

Ideal for residential, food service, rental fleets, commercial and industrial applications

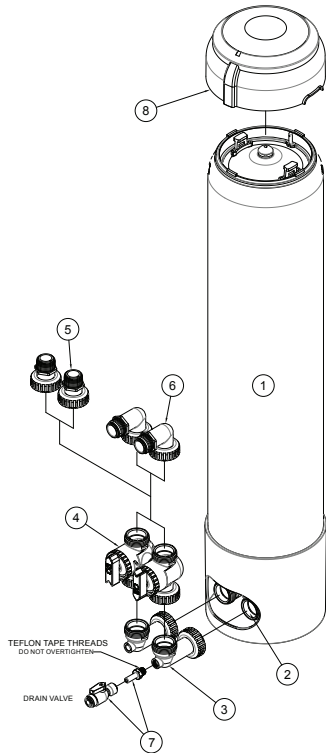
Make-up water, RO pre-filtration, cooling towers, chill water loops, metal finishing

Process water (turbidity, particulate, colloidal suspensions)

Reduction in frequency of replacing common 2½" or 4½" housings—bigger is better!

Other water-based fluid solutions

TECHNICAL SCHEMATICS



PART IDENTIFICATION

1. ONE-E3 Filtration System / Housing
2. In/Out Head for 1.050" Riser Pipe
3. 90 Degree Vertical Elbow With/without Machined Drain Port
4. Bypass Manifold
5. 1" MNPT Straight Connector
6. 1" MNPT 90 Degree Elbow Connector
7. 3/8" PEX Drain Valve Kit Assembly With Shut-off
8. PCB Umbrella Without Electronics

E3 FILTRATION SYSTEM

INTEGRATED BYPASS, METER & DRAIN CONNECTION SYSTEM



The E3 connection system is available to use with all POE (point-of-entry) filters in the blue, green, yellow, orange, silver and white filtration series.

EASY REPLACEMENTS

NO TOOLS REQUIRED

1. PRESS THE RED PRESSURE RELIEF VALVE TO UNSEAT THE RING



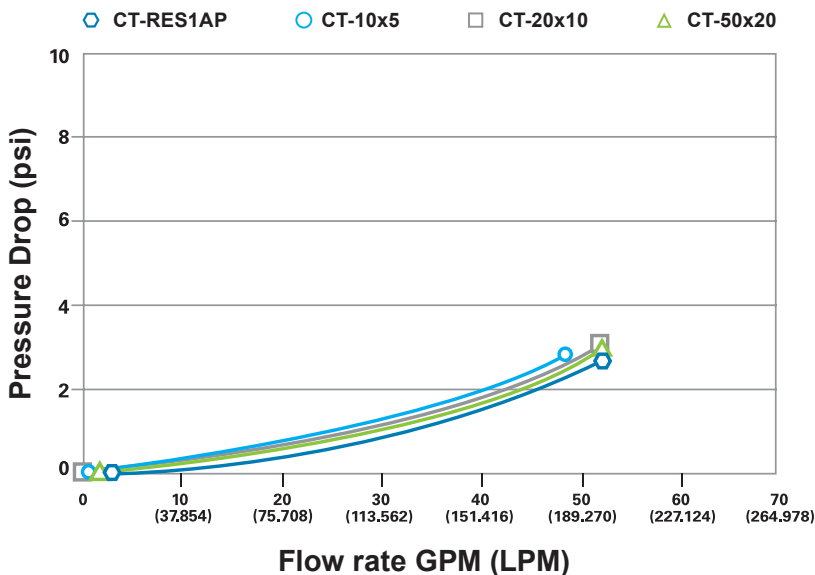
2. REMOVE SNAP RING



3. LIFT TOP CAP



FILTER PERFORMANCE



BETTER FILTRATION THERE'S NO COMPETITION

Extended Service Life—6, 12, 18, or 24 months vs. 1–3: The total surface area of the dual gradient orange series is approximately 100 ft². A typical single layer 2½"x20" filter is approximately 7 ft² of filter media area; a 4½"x20" is approximately 16 ft².

The orange series has nearly 6.5x more open area compared to standard 4.5"x20" filters (100 ft² vs. 16 ft²) and nearly 14.5x open area compared to standard 2.5"x20" filters (100 ft² vs. 7 ft²). More open area = a longer service life!



ENPRESS®, ONE®, CARTRIDGE TANK®, E3®, AND UMBRELLA CAP® are trademarks of ENPRESS, LLC. US and International patents, and patent pending.

Performance claims are based on independent lab results and manufacturer's internal test data. Actual performance is dependent on influent water quality, flow rates, system design and applications. Your results may vary. Micron ratings based on 85% or greater removal of a given particle size. Flush new cartridges until water runs clear prior to use. Do not use with water that is microbiologically unsafe or of unknown quality without adequate disinfection before or after the system.

For more information, visit enpress.com or onefiltration.com

ENPRESS, LLC. // 34899 Curtis Blvd., Eastlake Ohio 44095 // Phone: 866.859.9274 // Fax: 440.510.0202 // info@enpress.com