



AWC201 Faucet Mount Water Filter Instruction Manual

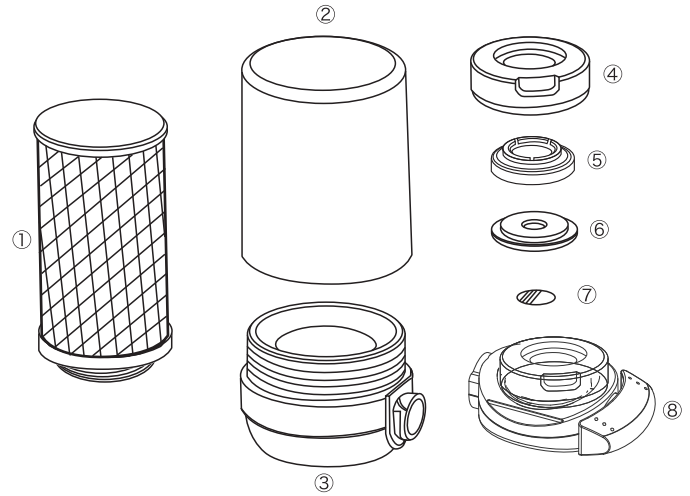


Figure 1

No.	Part Name	No.	Part Name
1	Carbon Cartridge	5	Adaptor
2	Shell	6	Sealer
3	Cover	7	Stainless Steel Mesh
4	Connecting Nut	8	The Diverter

Attention:

1. Please read the Instruction Manual Carefully before Assembling.
2. Please let water flow for 10 seconds before using.
3. Not suited for filtering hot water.

Assembly Instructions

Whats Included in Box

Part List	
Faucet Mount Water Filter	1pc
Instruction Manual	1pc
Adaptors	1 set

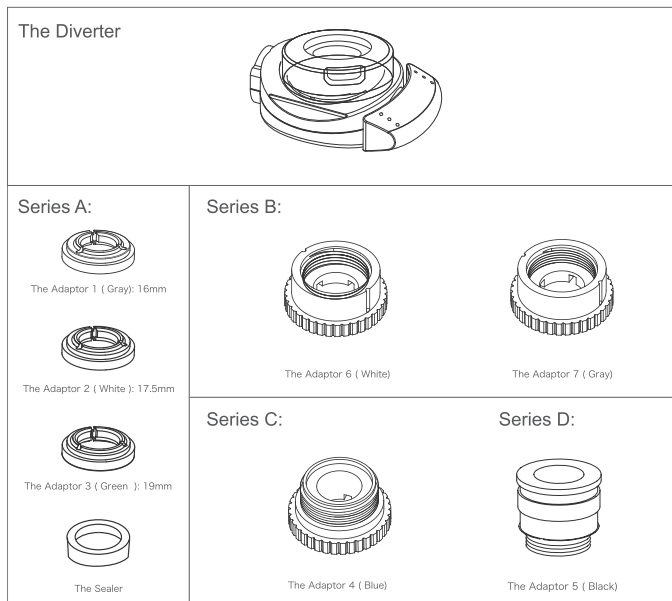


Figure 2

Choose the Correct Adapter





Check faucet type and size		Use correct adaptors
Tap Type	Size	Recommended Adaptors
Series A Adaptors  With outer ring Suggest for the dia=16mm / 17.5mm / 19mm' s round tap	16mm	The Diverter + The Adaptor 1 (Gray) : 16mm
	17.5mm	The Diverter + The Adaptor 3 (White) : 17.5mm
	19mm	The Diverter + The Adaptor 2 (Green) : 19mm
Series B Adaptors 	22mm	The Diverter + The "B" Adaptor
Series C Adaptors 	22mm	The Diverter + The "C" Adaptor
Series D Adaptors 	22mm	The Diverter + The "D" Adaptor

Figure 3

Faucet types below are not compatible



Figure 4

Mounting Instructions

1. Take off the Connecting nut and the adaptor from the Diverter. (Picture B1)
2. Take off the nut from the tap, and put connecting nut of Diverter on the tap. (Picture B2)
3. Screw the suitable adaptor into the tap. (Picture B3)
4. Tighten the Diverter on the tap.

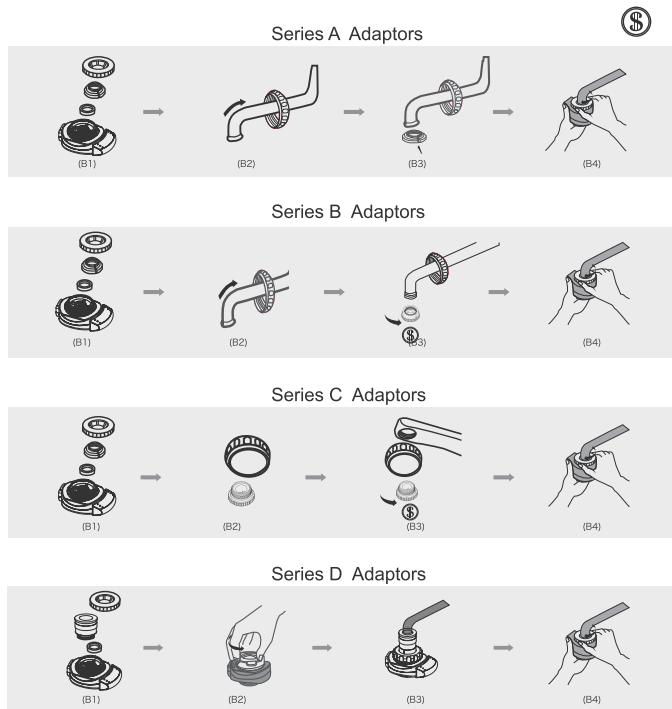


Figure 5

P4

Installing the Filter Cartridge

1. Remove the filter shell (part #2 Figure 1) by unscrewing in counterclockwise direction while holding the base tight.
2. Take the filter cartridge out and remove plastic cover.
3. Secure the cartridge in base.
4. Close the shell by screwing it in clockwise direction.
5. Tighten the filter into the diverter.

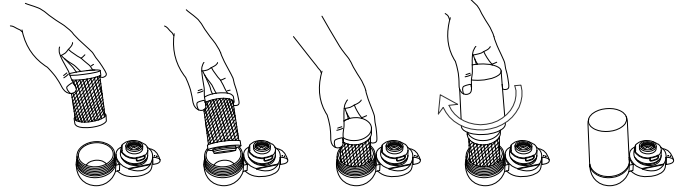


Figure 6

Using the Filter

1. Turn on your faucet cold water supply.
2. Turn the diverter to filtered water and flush the system for 5 minutes before initial use.
3. Turn the diverter to unfiltered water for washing dishes.
4. Flush the filter for 10 seconds before using, each time.

Cleaning the Filter

1. Use a wet cotton to clean the filter.
2. Do not use steel wool or chemicals as they may cause filter damage and/or discoloration.

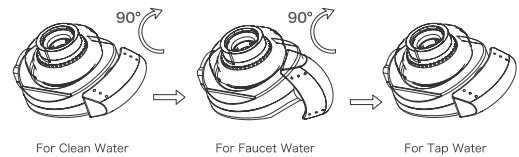


Figure 7

P5



Figure 8

P6

Replacing the Filter Cartridge

Replacement Filter Model RF-AWC201

Filter cartridge should be replaced every 3-6 months or when water flow is reduced.

1. Turn off the water supply.
2. Disconnect the filter from the diverter.
3. Unscrew the filter shell.
4. Take out the used cartridge and replace with new cartridge.
5. Screw in and tighten the filter shell onto the base.
6. Connect the filter into the diverter.

Flush the filter for 5 minutes before using.

Specifications

Service Flow:	0.5 gpm (2 L/m)
Capacity:	750 gallons (2839 Liters)
Temperature Range:	39 °F to 100 °F (4 °C to 38 °C)
Operating Pressure:	15 PSI to 58 PSI
Gross Weight:	1.17 Lb (0.53 Kg)
Running Noise:	< 50 dB(A)

For Questions and Concerns, Feel Free to Contact Our Support Staff

Water Engineering Corporation.

Long Beach, CA 90804 U.S.A.

1 (888) 675-5187
 sales@wecofilters.com
 www.wecofilters.com

P7